

ACCUFLANGE



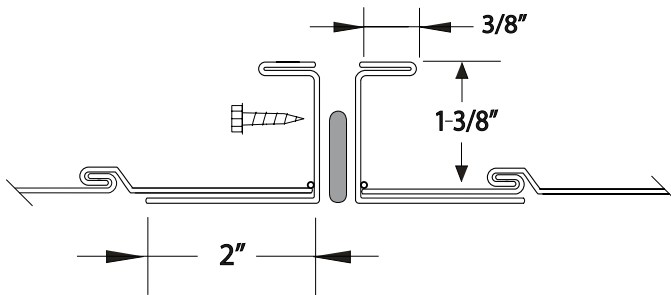
ROUND AF



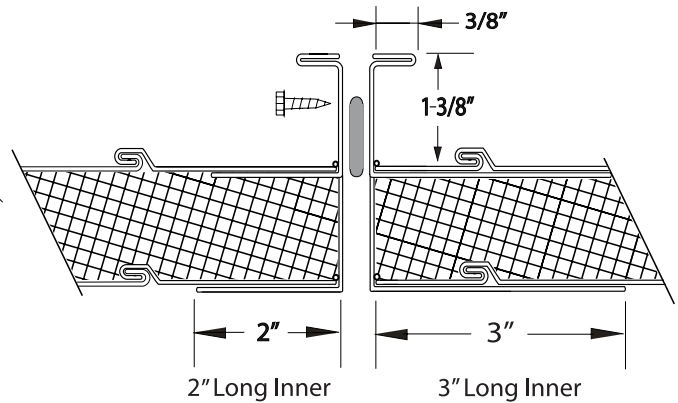
OVAL AF

ITEM CODE	WALL CODE	A or A ₂ (Oval Minor)	MATERIAL	GAUGE	SEAM	PRESSURE CLASS
AF	SW, 1DW, 2DW, 3DW	6"–28" (Even & Odd Sizes)*	Galvanized, Galvanseal, 304 SS, 316 SS, Aluminum & PVC Coated	18	SWB	+10" W.G. to -10" W.G. SMACNA HVAC D.C.S.
		30"–58" (Even Sizes)		18		
		60"–74" (Even Sizes)		16		
		76"–96" (Even Sizes)		14		

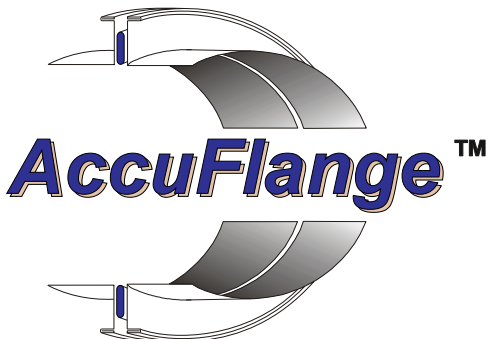
* 6"–14" stainless and aluminum have a small face.



SINGLEWALL (SW)



DOUBLEWALL
(Specify 1DW, 2DW or 3DW)



U.S. Patent No. 5,983,496

The patented AccuFlange™ connecting system, installed and sealed per Spinfinity's recommendations, is suitable for use on all systems across a range of internal duct pressures from 10" W.G. positive to 10" W.G. negative.